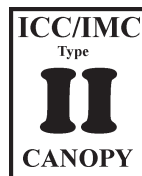




CANOPIES, UPDRAFTS, DUCTWORK, EXHAUST AND MAKE UP AIR FANS

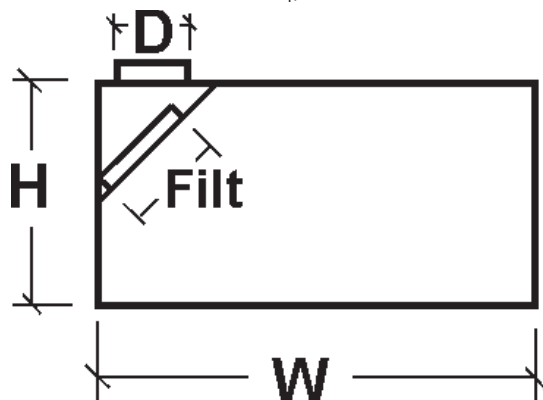
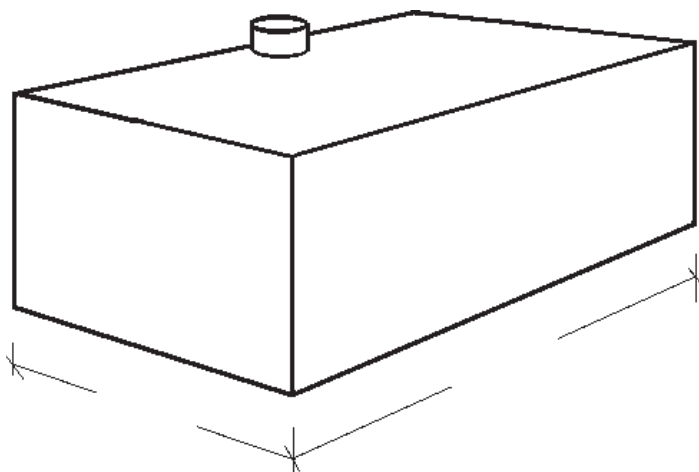


APPROVAL SHEET



Standard 2

Domestic Range Canopy 24" High "D2BS Series



Job Name:		
Dealer:		
Canopy Model	By:	Date:
Fabrication cannot begin until sheet is signed		
Approved by	PO Number	Date

D2B	DIMENSIONAL DATA		
"W"	"H"	"Filt"	"D"
24"	24"		
30"	24"	25"	
36"	24"		

Specifications

- D2BS8 Series Sturdi-Bilt Domestic Range Bos Style Hood:** Constructed of all 18 Gauge Type 302 Non Magnetic Stainless Steel, seamlessly heliarc externally welded and fully polished. Complete with Exhaust Collar and UL listed Mesh Filters, NSF Listed. Internaional Mechanical Code Type II Canopy, for home use with semi commercial or domestic ranges, or for other *non commercial* use of ranges. Cannot be used for Commercial Cooking Equipment, not for over grease producing equipment.
- WDS Series Sturdi-Bilt Wall Panel:** Constructed of 18 Gauge Type 302 S/S. Supplied with Aluminum Left and Right Edge Molding.